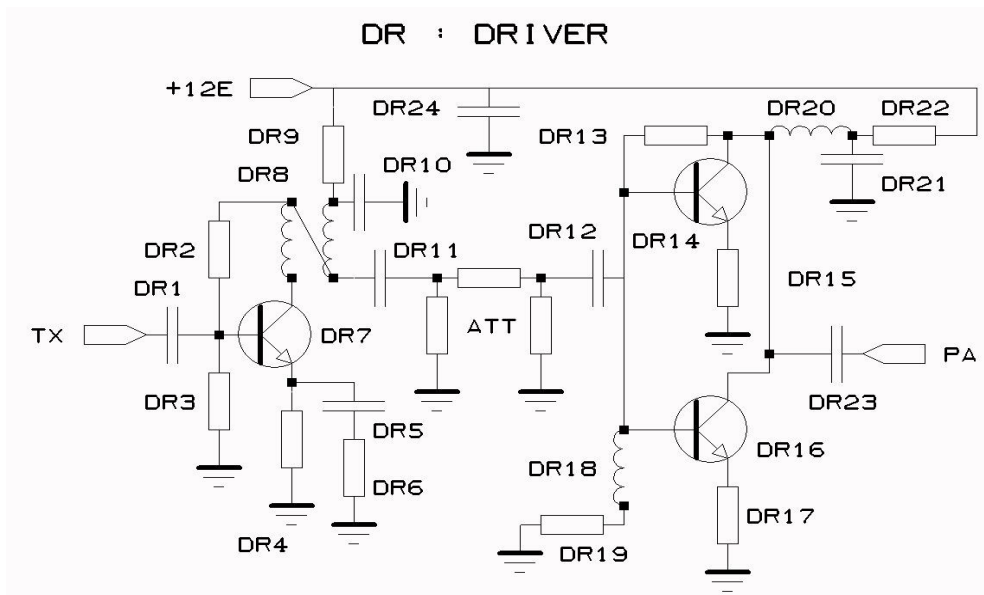


TRX SAVOY fiche n° 13



| Rep | TX | valeur | Remarques |
|------|----|----------|-----------------------------|
| DR1 | * | 0,1uF | |
| DR2 | * | 1kΩ | |
| DR3 | * | 470Ω | |
| DR4 | * | 56Ω | |
| DR5 | * | 0,1uF | |
| DR6 | * | 5,6Ω | |
| DR7 | * | 2N2219A | |
| DR8 | * | FT37-43 | 2x10t 4/10e |
| DR9 | * | 100Ω | |
| DR10 | * | 0,1uF | |
| DR11 | * | 0,1uF | |
| DR12 | * | 0,1uF | |
| DR13 | * | 470Ω | |
| DR14 | * | 2N2219A | +radiateur / appairé à DR16 |
| DR15 | * | 10Ω | 1W |
| DR16 | * | 2N2219A | +radiateur |
| DR17 | * | 10Ω | 1W |
| DR18 | * | FT 37-43 | 9t 4/10e |
| DR19 | * | 100Ω | |
| DR20 | * | FT50-43 | 10t 4/10e |
| DR21 | * | 0,1uF | |
| DR22 | * | 1Ω | 1W |
| DR23 | * | 0,1uF | |
| DR24 | * | 0,1uF | |